

7.5C – 3 (R)

fifteen 6.04

- 18** Corbin made a scale model of the San Jacinto Monument. The monument has an actual height of 604 feet. Corbin’s model used a scale in which 1 inch represents 100 feet. What is the height in inches of Corbin’s model?

Record your answer and fill in the bubbles on your answer document. Be sure to use the correct place value.

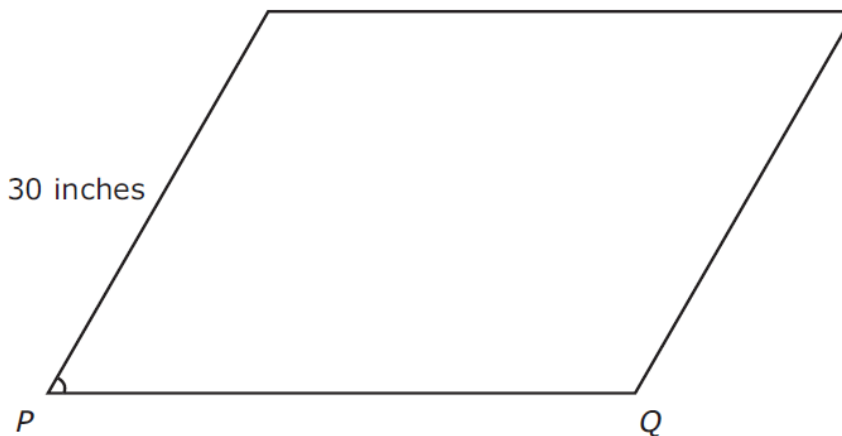
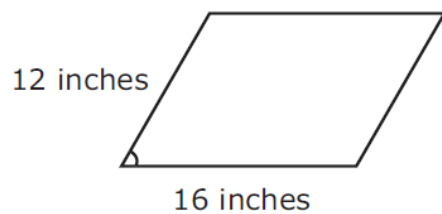
Grades 6–8 Mathematics

					.		
+	0	0	0	0		0	0
−	1	1	1	1		1	1
	2	2	2	2		2	2
	3	3	3	3		3	3
	4	4	4	4		4	4
	5	5	5	5		5	5
	6	6	6	6		6	6
	7	7	7	7		7	7
	8	8	8	8		8	8
	9	9	9	9		9	9

7.5C – 3 (R)

sixteen W

42 The two parallelograms below are similar.



What is the length in inches of \overline{PQ} ?

- F** 40 in.
- G** 34 in.
- H** 38 in.
- J** 14 in.

7.5C – 3 (R)

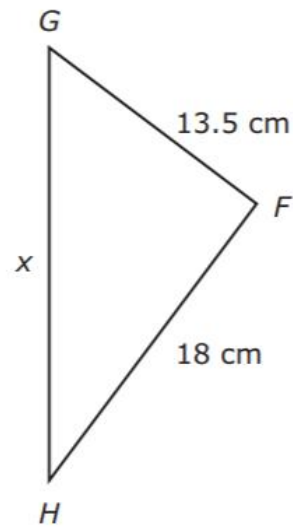
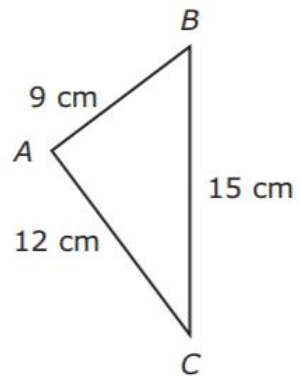
seventeen Y

- 49** Ana drew a map of the Panama Canal. In the scale Ana used for the map, 4 centimeters represents 20 kilometers. The actual length of the Panama Canal is 82 kilometers. What is the length in centimeters of the Panama Canal on Ana's map?
- A** 410 cm
 - B** 15.5 cm
 - C** 16.4 cm
 - D** 162 cm

7.5C – 3 (R)

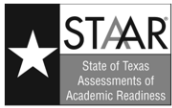
eleven W

2 Triangle ABC is similar to triangle FGH .



What is the value of x in centimeters?

- F** 22.5 cm
- G** 8 cm
- H** 10.8 cm
- J** 30 cm



2017

7.5C – 3 (R)

twelve 70

- 35** The distance between two cities on a map is 3.5 centimeters. The map uses a scale in which 1 centimeter represents 20 kilometers. What is the actual distance between these two cities in kilometers?

Record your answer and fill in the bubbles on your answer document. Be sure to use the correct place value.

Grades 6–8 Assessments

				.		
0	0	0	0		0	0
1	1	1	1		1	1
2	2	2	2		2	2
3	3	3	3		3	3
4	4	4	4		4	4
5	5	5	5		5	5
6	6	6	6		6	6
7	7	7	7		7	7
8	8	8	8		8	8
9	9	9	9		9	9

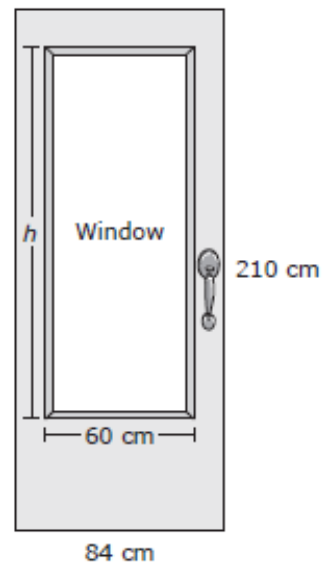


2018

7.5C – 3 (R)

nineteen Y

- 16 The diagram shows a door that has a window in it. The front faces of the door and the window are similar rectangles that have the dimensions shown.



What is h , the height of the window in centimeters?

- F 66 cm
- G 186 cm
- H 150 cm
- J Not here



2018

7.5C – 3 (R)

twenty Y

32 An architect built a scale model of a sports stadium using a scale in which 2 inches represents 30 feet. The height of the sports stadium is 180 feet.

What is the height of the scale model in inches?

F 3 in.

G 105 in.

H 12 in.

J 60 in.